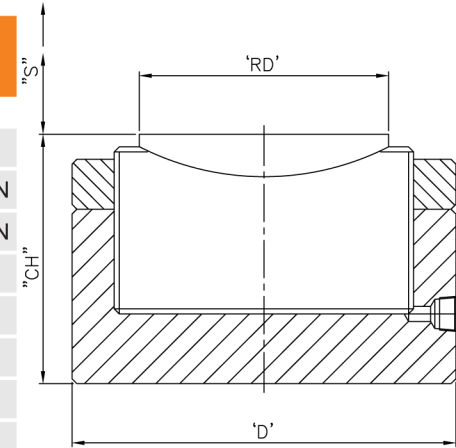


Ultra Low Height Threaded Ram Hydraulic Pancake Jack

Capacity : 50-500 tons Stroke : 30-40 mm Working Pr.: 700 bar (Max.)



Model	Capacity	Closed Ht. 'CH'	Stroke 'S'	Ram Dia 'RD'	Outer Dia 'D'	Oil Volume	Approx. Weight	Suitable Hand pump
	Tons	MM	MM	MM	MM	C.C.	KG.	
PCT 50/30	50	115	30	100	145	192	13.5	PHP 200/2
PCT 100/30	100	130	30	140	185	475	22.5	PHP 400/3N
PCT 150/30	150	150	30	170	225	697	41.5	PHP 400/3N
PCT 200/40	200	170	40	200	270	1281	60.5	PHP 500/6
PCT 250/40	250	180	40	220	295	1548	76.5	PHP 500/6
PCT 300/40	300	190	40	240	325	1894	103.5	PHP 500/6
PCT 400/40	400	200	40	270	365	2324	142.0	PHP 500/6
PCT 500/40	500	215	40	300	415	2865	199.5	PHP 500/6



Features / Benefits :

- Compact, pancake design, heat treated alloy steel body for better life.
- Hard chrome plated ram to resist scoring and corrosion.
- Single acting, load return, Threaded Ram for safe working
- Grooved ram ends doesn't require lifting saddle.
- High pressure long life seals. • Port Size 1/4" and 3/8" NPT.
- QCC with Plastic dust cap. Aluminium Dust Cap on Request.

Application :

These jacks are designed specifically where space is a constraint. Ideally used where no other cylinders will fit for lifting, lowering, spreading of structures, bridges, heavy machinery etc.

! To Reduce the closed height of the jack, there is no seal box. One has to monitor the lifting height and gradually tighten the safety lock nut while lifting to avoid accident & failure of Jack. Place rigid base below the jack.

