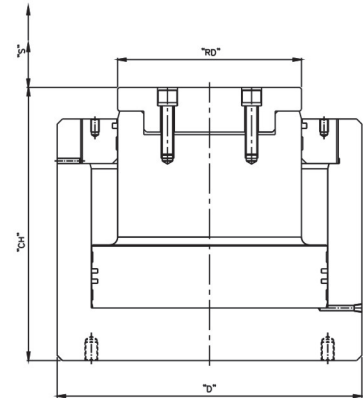


Plain Ram, Load Return, Hydraulic Jack (PLR-Series)

Capacity : 600-1000 tons Stroke : 100-150 mm Working : 700 bar (Max)

MODEL NO.	Capacity	Closed Ht. 'CH'	Stroke 'S'	Ram Dia 'RD'	Outer Dia 'D'	Oil volume	Approx Weight	Suitable Hand Pump
	tons.	mm.	mm.	mm.	mm.	cc.	kgs.	
PLR-600/100	600	395	100	280	440	9534	380	PHP-500/16*PP
PLR-600/150	600	445	150	280	440	14073	430	PHP-500/16*PP
PLR-800/100	800	400	100	300	510	12544	540	*PP
PLR-800/150	800	450	150	300	510	18516	600	*PP
PLR-1000/100	1000	470	100	350	570	17700	800	*PP
PLR-1000/150	1000	520	150	350	570	24652	860	*PP



*PP-Power Pack

Features / Benefits :

- High strength, Heat treated alloy steel body. • Hard chrome plated ram to resist scoring and corrosion. • Single acting load return. • High pressure long life seals. QCC with dust cap.
- Adequate gripping by grooved saddle. • Bottom mounting holes for bolting.
- Customised higher capacity, strokes, collar threading and tilting saddle available on request.
- QCC with Plastic dust cap. Aluminum Dust Cap on Request. • Port Size 3/8" NPT.

Application :

These jacks are ideally used for lifting of girders, pile testing for bridges and building foundation, handling of heavy duty machineries, steel fabrication and ship building etc.

